

Miele

30" Downdraft Hood
Flush Mounting

DA 6881 Levantar



Shown: KM 6375 with DA 6891 Flush Mounted
Please note: This information is subject to change

 mieleusa.com
Specification Sheets TRS 09092019

30" Downdraft Hood Flush Installation

SPECIFICATIONS	
Overall Unit Dimensions	30" (762 mm) W x 25 ¹¹ / ₁₆ " (652 mm) H (Unextended) x 4 ³ / ₄ " (120 mm) D
Overall Canopy Height	16" (406 mm)
Built-In	
Minimum Opening Dimensions	25 ¹⁵ / ₁₆ " (659 mm) W x 25 ¹³ / ₁₆ " (656 mm) H (Including Countertop) x 4 ¹ / ₄ " (108 mm) D
Fan	
Fan Speeds	4
Maximum CFM	DA 6881 w/DAG 600 → 500 CFM DA 6881 w/DAG 1000 → 1000 CFM
Duct	
Duct Diameter	DAG 600 → 6" (150 mm) DAG 1000 → 10" (254 mm)
Electrical	
Electrical Requirements	120V, 60Hz, 15A
Power Cable	Ventilation system must be hard wired
Shipping	
Shipping Weight	63 lbs (28.6 kg)
Shipping Dimensions	36 ⁷ / ₈ " W x 30 ⁵ / ₈ " H x 10 ⁷ / ₈ " D
Support	
Call Miele	(800) 999-1360
Miele Website	www.mieleusa.com
20/20 Link	2020technologies.com

If you are planning to install an oven in front of the appliance, the appropriate installation advice and dimensions regarding cool air circulation must be observed.

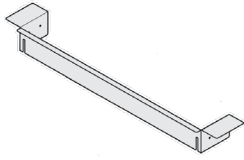


DA 6881 w/DAG600
Item DA6881+internal

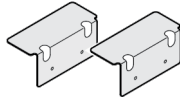
DA 6881 w/DAG1000
Item DA6881+external

30" Downdraft Hood Flush Installation

STANDARD ACCESSORIES



Single Support Bracket for
One Cutout Installation



Two Support Brackets for
One or Two Cutout(s) Instal-
lation

OPTIONAL ACCESSORIES



DAG 600

500 CFM Internal Blower



DUU 2900

Recirculation kit for use
with DAG 600



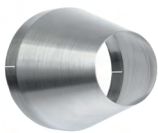
DAG 1000

1000 CFM External Blower



DKF18-900

Replacement OdorFree
charcoal filter
(Used with DUU 2900)

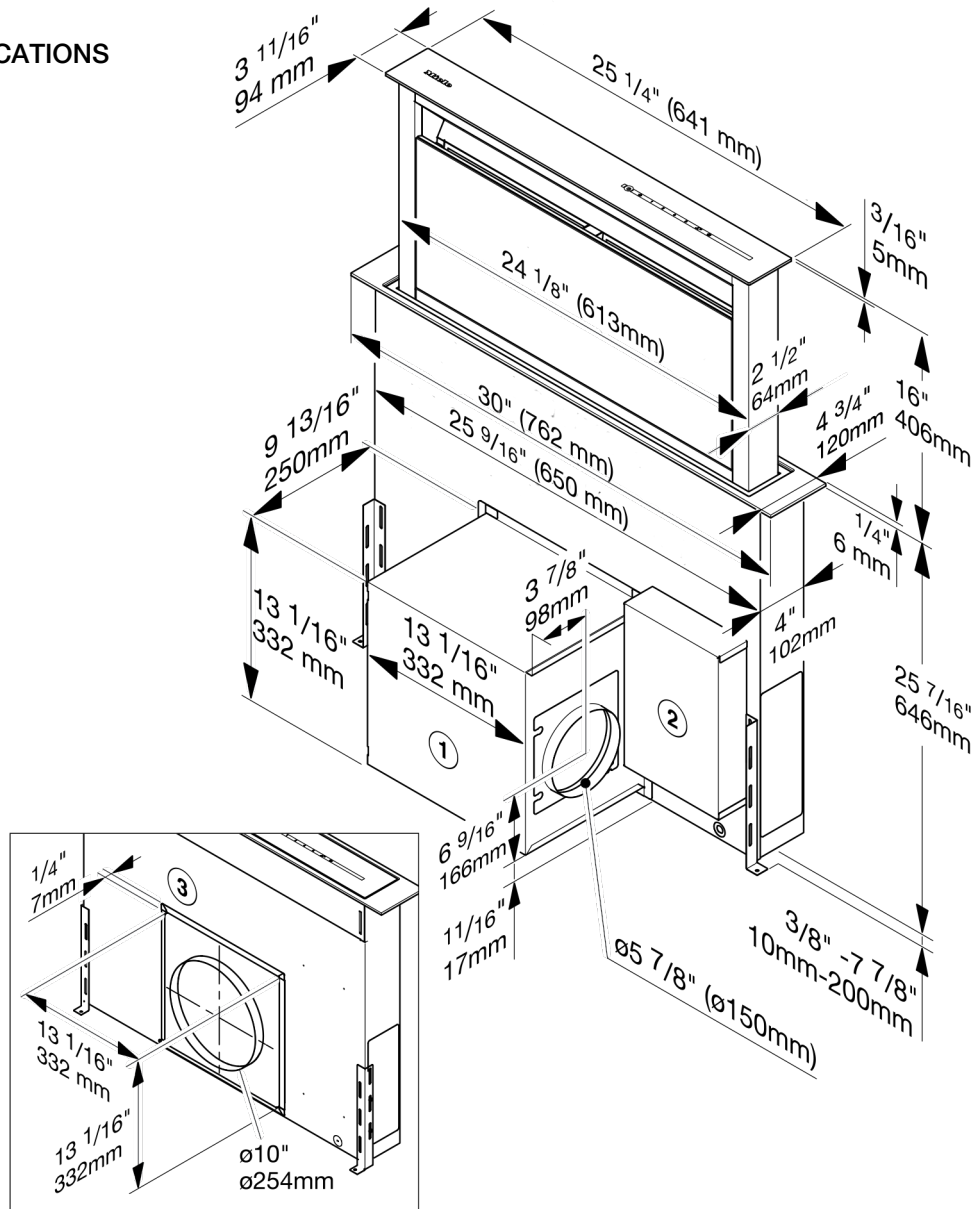


R2000

Reducing collar limits air
flow to less than 300 CFM
with DAG 600

30" Downdraft Hood Flush Installation

PRODUCT SPECIFICATIONS



- ① The DAG 600 blower can be rotated and mounted with the exhaust air direction pointing up, to the left, to the right or down.
- ② The connection box can be positioned anywhere in the cabinet.
- ③ Cover for use with the DAG 1000 external blower.

The DAG 600 blower or the cover for the DAG 1000 blower can also be installed in the same position at the back of the appliance.

Exhaust connection:

with internal DAG 600 blower: \varnothing 6" (150 mm).

with external DAG 1000 blower: \varnothing 10" (254 mm).

Please refer to the cooktop manufacturer's instructions when installing in combination with a cooktop. The installation and safety distance requirements must be maintained.

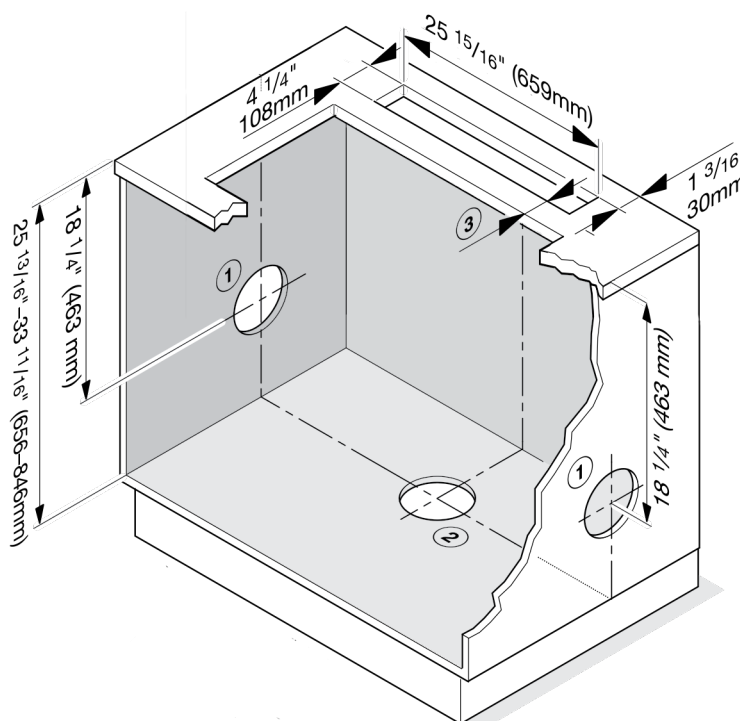
The total output of a multi-burner gas cooktop must not exceed 73,800 BTU, with no single burner exceeding 16,500 BTU. Gas cooktops with a greater output cannot be used in combination with this downdraft.

30" Downdraft Hood Flush Installation

TWO INDIVIDUAL CUTOUTS INSTALLATION SPECIFICATIONS

Cutout Dimensions for Two (2) Cutouts

- Flush Mount Installation
- Allows for Installation with Flush Mounted Downdraft in Combination with Flush or Proud Mounted Combisets and Cooktops



Exhaust or recirculation mode with DAG 600 blower installed at the front of the downdraft. Exhaust ducting (\varnothing 6" (150 mm))

- ① Exhaust ducting to the right or left.
- ② Exhaust ducting downwards.
 - a) Overhang of the cooktop
 - b) Cooktop cutout
- ③ If the downdraft and cooktop are installed in separate cutouts, ensure adequate stability of the strip in between.

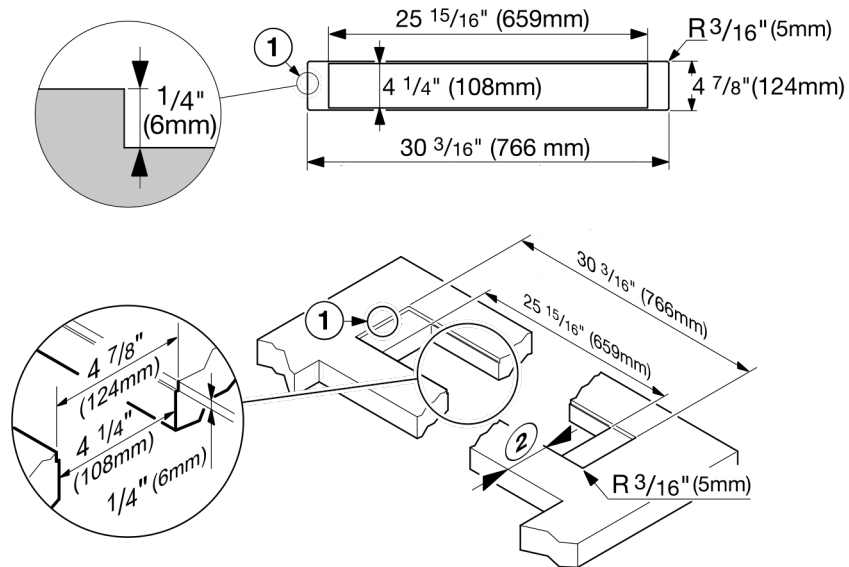
If the blower is to be installed at the back of the downdraft, ensure that there is adequate space for installation.

30" Downdraft Hood Flush Installation

TWO INDIVIDUAL CUTOUTS INSTALLATION SPECIFICATIONS

Cutout Dimensions for Two (2) Cutouts

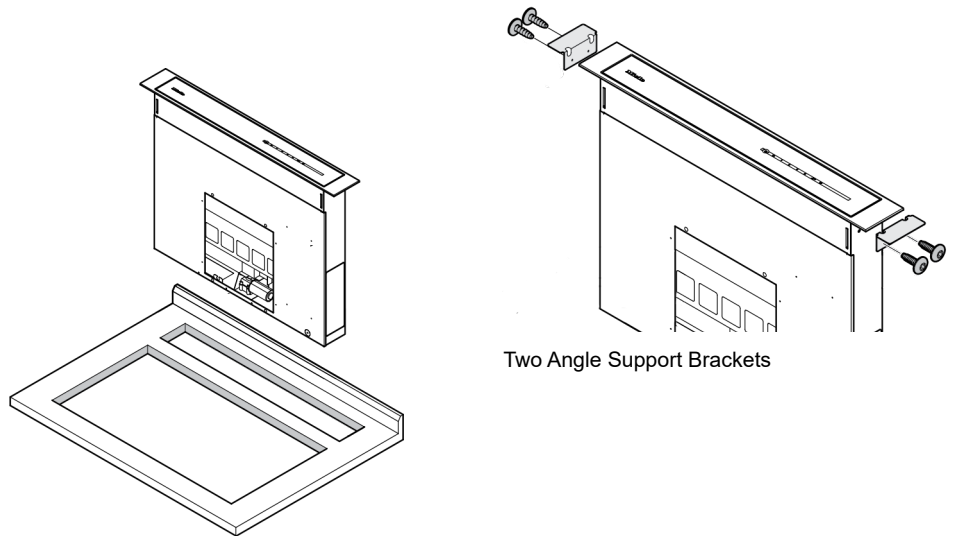
- Flush Mount Installation
- Allows for Installation with Flush Mounted Downdraft in Combination with Flush or Proud Mounted Combisets and Cooktops



- ① Stepped cutout for flush-fit installation in stone worktops (granite, marble)
- ② If the downdraft and cooktop are installed in separate cutouts, ensure adequate stability of the strip in between.

INSTALLATION SPECIFICATIONS

Two (2) Individual Cutout Support
Brackets (Included)

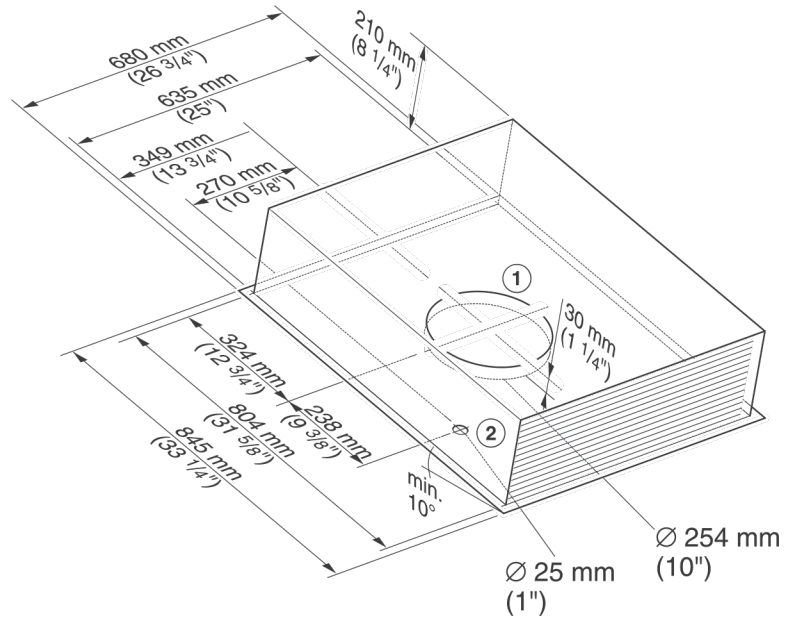


Two Angle Support Brackets

Two small angle brackets are mounted on the downdraft extractor. They serve as a support for the downdraft extractor when the downdraft extractor and cooktop are installed in two separate cutouts.

30" Downdraft Hood Flush Installation

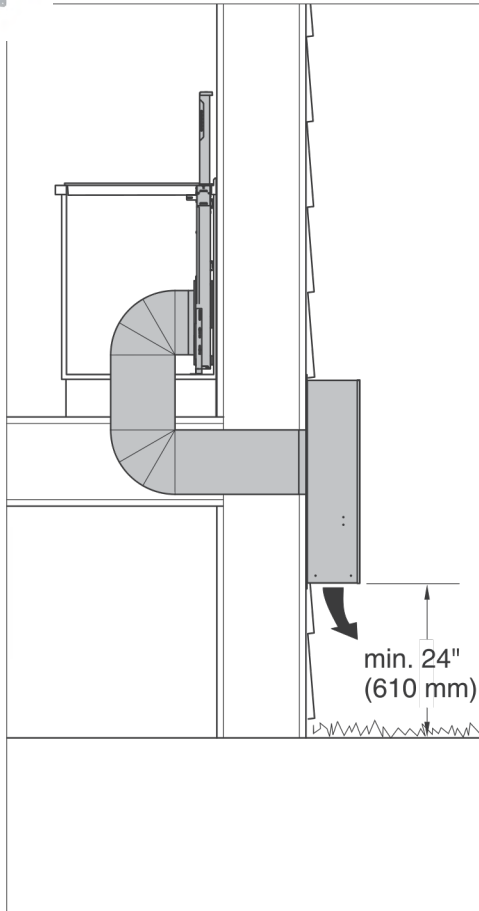
EXTERNAL BLOWER DAG 1000 (Optional Accessory)



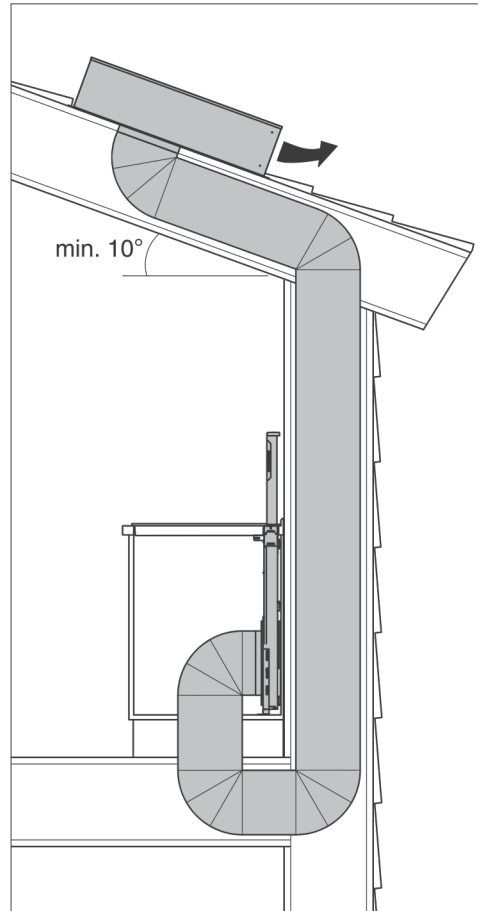
- ① Exhaust air connection
- ② Power cord feed-through (strain relief)

30" Downdraft Hood Flush Installation

EXTERNAL BLOWER DAG 1000 - CONTINUED (Optional Accessory)



Example: Installation on an external wall

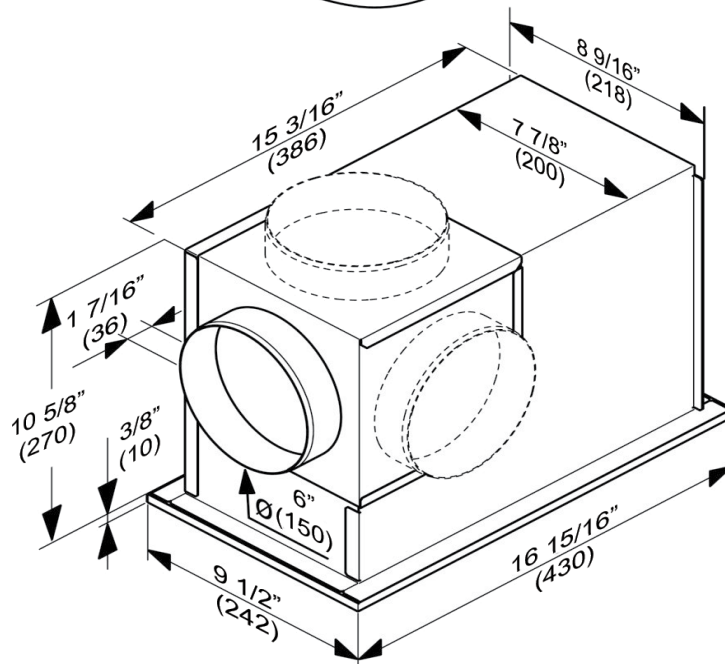
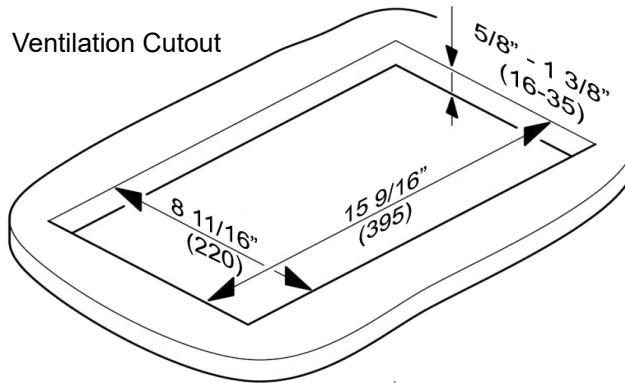


Example: Installation on a roof

The exhaust connection can be connected to either the front or back of the downdraft. For more information see the installation diagram for the downdraft.

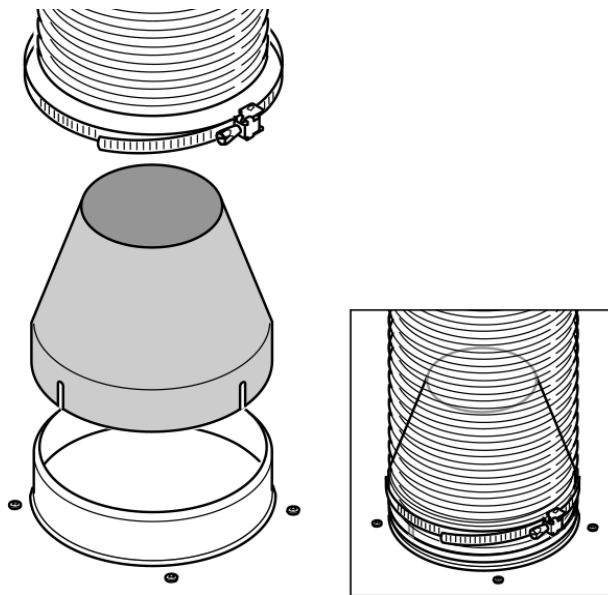
30" Downdraft Hood Flush Installation

RECIRCULATION KIT DUU 2900 (Optional Accessory)



30" Downdraft Hood Flush Installation

R2000
(Optional Accessory)



If you would like to reduce the environmental impact of your ventilation system by limiting the CFM output the Reducing Collar can be installed. It reduces the air flow to less than 300 CFM in use with DAG 600. Check local building codes for maximum CFM requirements.